

ELECTROMECHANICAL THERMOSTATS

FDX-H



Freddox electromechanical thermostats are intended for multiple applications : cold rooms, beverage coolers, refrigerated display cases, air conditioning installations, heat recovery units, etc.

They are available in two versions : thermostat with bulb and capillary for remote positioning or as an in-room ambient thermostat.

Features

Single pole thermostat with cylindrical sensor

Single pole SPDT changeover contact

Fixed differential

Button on the front allows precise adjustment of the temperature

Case in grey ABS

Degree of protection : IP40

Capillary and bulb manufactured from stainless steel

Conforms to the Low Voltage Directive (LVD)2014/35/EU, Automatic Control EN 60730

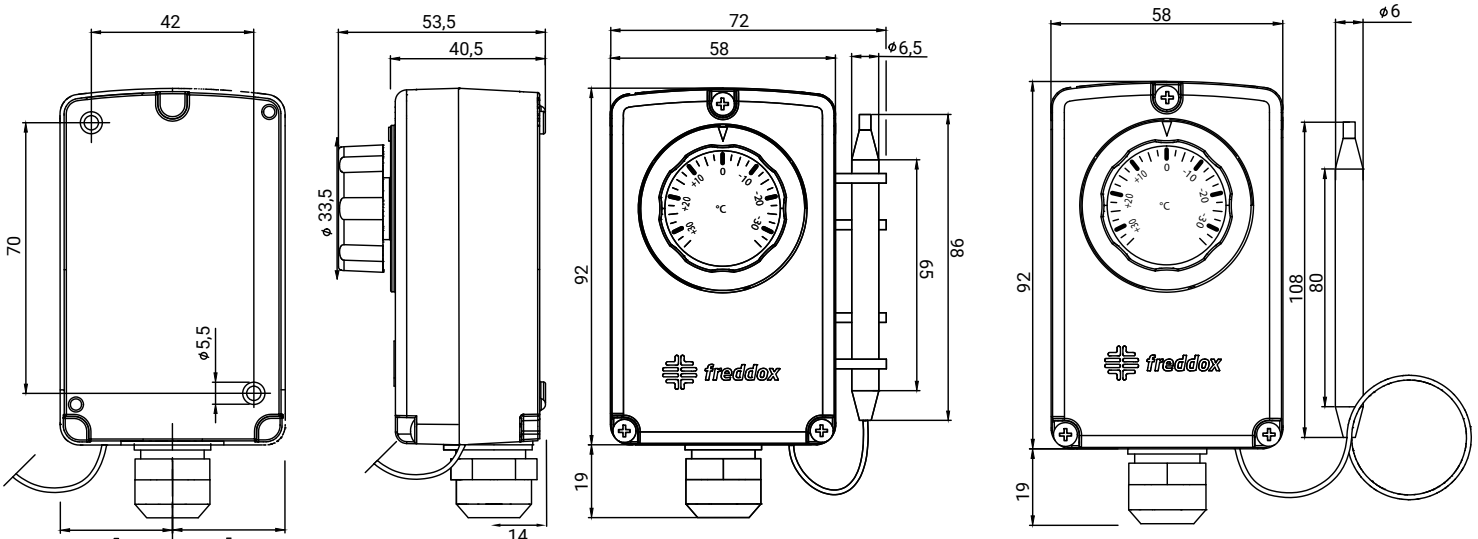


TECHNICAL DATA

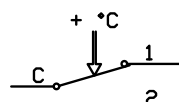
MODEL	FDX035H-A-000	FDX035H-C-150	FDX040H-C-150
BRIC CODE	4401-TS1H2153	4401-TS1H1155	4401-TS1H1156
Type	Ambiant	Remote	
Function temperature range	-35 to +35°C ± 3°C		0 to +40°C ± 3°C
Temperature differential	3 K ± 2°C		
Temperature variation	< 1°C/min		
Switch system	Changeover (SPDT) switch		
Contact load	C-1 = 15(2,5)A at 250Vac - C-2 = 2,5(0,4)A at 250Vac		
Reset	Automatic		
Max bulbe temperature	+55°C		
Max head temperature	+80°C		
Minimun current	200mA		
Protection index	IP40		
Electrical connection	Terminals Faston 6,3x0,8mm		
Cable external Ø min/max	6,5 - 8,5 mm		
Capillary tube lenght	-	1500 mm + 50/-100 mm	

Switching point with thermostat at ambient temperature of +25°C - Correction factor C = -0,18°C/°C

Dimensions (mm)



Wiring diagram



Manufacturer reserves the right to change any product specifications without notice.. Ref. : 4401-FDX-H_2207_EN