

FREDDOX VACUUM PUMP FD-2BM/FD-4BM



Freddox Vacuum Pump FD Series is engineered to achieve a vacuum quality as fine as 2Pa, ensuring the removal of any incondensable substances from the circuit prior to refrigerant charging. This meticulous process contributes to heightened system efficiency.

Our Freddox Vacuum Pump features sparkless brushless motors, allowing seamless compatibility with the latest low GWP refrigerant, R32. The innovative two-stage pump design significantly enhances your daily operations by swiftly and securely creating a high-quality vacuum, due to the integrated cylinder, which ensures superior air impermeability.

The new design of the Freddox FD Series pumps prioritises lightweight construction, making them effortlessly portable for everyday use in any location.

Choose from two sizes, 71L/min or 127L/min, tailored to the volume of the circuit you need to treat.

Features

- Sparkless design suitable for Low GWP light flammable refrigerant (A2L) as HFO/ HFO Blend including R32
- Dual stage intelligent vacuum pump
- Motor 1/4HP
- Ultimate pressure 0,02mbar (2Pa)
- Connexion 1/4" and 3/8" flare
- High pressure protection

TECHNICAL DATA

Freddox Vacuum Pump

Models	FD-2BM	FD-4BM
BRIC Code	4401-FD2BM	4401-FD4BM
Flow Rate	71l/min	127l/min
Power	1/4 HP	
Ultimate Vacuum	0.2 Pa	
Inlet Part	1/4" & 3/8"	
Oil Capacity	240ml	720ml
Vacuometer Included	No	Yes
Dimension	215x105x132mm	290x128x170mm
Weight	3.5kg	5.3kg

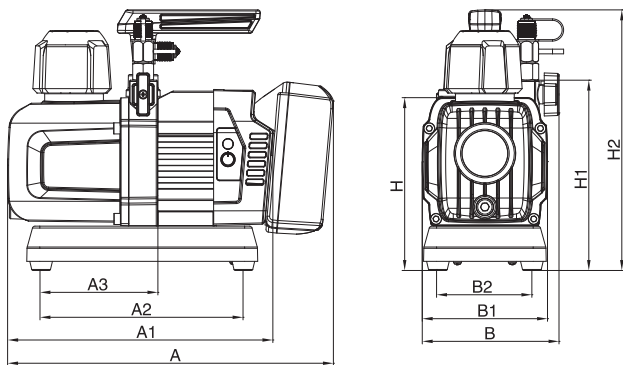


FD-2BM

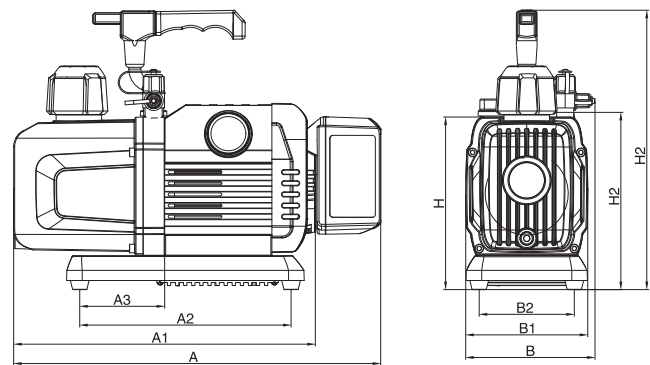


FD-4BM

FD-2BM



FD-4BM



Item No.	A	A1	A2	B	B1	B2	H	H1	H2
FD-2BM	215.5	155.5	90	105	96	73	132.5	146	200
FD-4BM	290	209	84	128	120.5	94	170.5	176	276

Manufacturer reserves the right to change any product specifications without notice.: BeijerRefAB_VacuumPump_Freddox_23_EN