

Important Safety Notice

It is the responsibility of the person installing the electrical equipment to ensure that the installation meets the requirements of the IET wiring regulations and is therefore 'fit for purpose'. Factors such as correct selection of components, cable sizing, protective devices and Earth bonding are all critical and should be checked prior to full testing and power-up. Any other regulations applicable to the equipment being installed such as the Machinery Directive and current health and safety legislation must also be adhered to. All connections (including factory made) must be checked for the correct tightness prior to commissioning of the electrical installation.

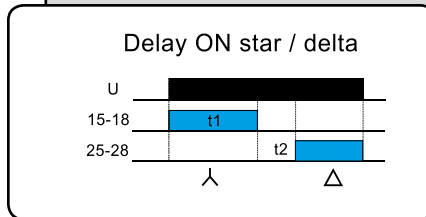
All connections should be checked periodically to ensure correct tightness.

DO NOT USE POWER TOOLS ON THESE PRODUCTS

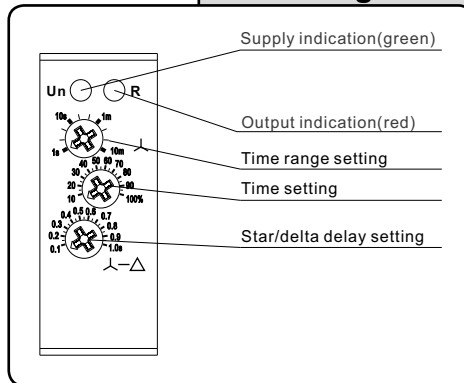


Data	ECSDS230	ECSDS400
Function	Delay ON star/delta	
Supply terminals	A1-A2	
Voltage range	AC/DC 12-240V(50-60Hz)	AC/DC 400V(50-60Hz)
Burden	AC 0.7-3VA/DC 0.5-1.7W	
Power Input	AC max.12VA/1.3W	AC max.12VA/1.9W
Supply voltage tolerance	-15%;+10%	
Supply indication	Green LED	
Time ranges	Range of time delay t1:0.1s - 10min, Switch time t2:0.1-1s	
Time setting	Potentionmeter	
Time deviation	5%-mechanical setting	
Repeat accuracy	0.2%-set value stability	
Temperature coecient	0.05%/°C,at=20°C(0.05%°F, at= 68°F)	
Output	2×SPDT	
Current rating	16A/ AC1	
Switching voltage	250VAC/24VDC	
Minimum breaking capacity DC	500mW	
Output indication	Red LED	
Switching voltage	250VAC/24VDC	
Minimum breaking capacity DC	500mW	
Output indication	Red LED	
Mechanical life	1×10 ⁷	
Electrical life(AC1)	1×10 ⁶	
Reset time	Maximum 200ms	
Operating temperature	-20°C to +55°C (-4°F to 131°F)	
Storage temperature	-35°C to +75°C (-22°F to 158°F)	
Mounting/DIN rail	Din rail EN/IEC 60715	
Protection degree	IP40 for front panel/IP20 terminals	
Operating position	Any	
Overvoltage category	III.	
Pollution Degree	2	
Maximum cable size (mm ²)	solid wire max.1×2.5 or 2×1.5/with sleeve max.1×2.5(AWG 12)	
Dimensions	90 x 18 x 64mm	
Weight	W240-82g,A230-80g	
Standards	EN 61812-1,EN61010-1	

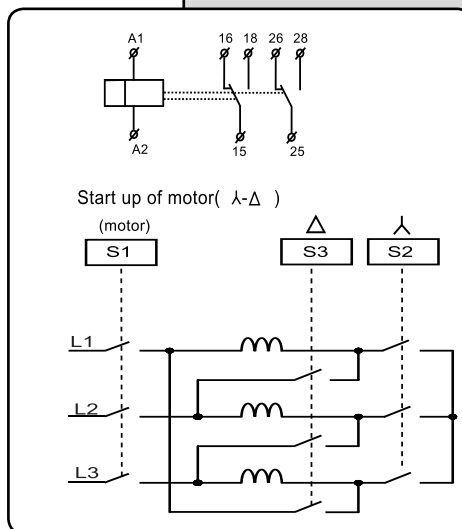
Functions Diagram:



Panel Diagram:



Wiring Diagram:



Dimensions:

