

APPROVALS



**ENGINEERING CODE**  
262DA50

**APPROVED REFRIGERANT**  
R-134a

**POWER SUPPLY**  
220-240 V 50 Hz

**STANDARD CONDITIONS**  
ASHRAE

**APPLICATION**  
LBP

**COOLING CAPACITY**  
346 W

**EFFICIENCY**  
1.33 W/W

**MOTOR TYPE**  
CSIR

**STARTING TORQUE**  
HST

DATA

General Data

Type	Hermetic reciprocating
Technology Type	On-Off
Displacement	12.11 cm <sup>3</sup>
Compressor Cooling	Fan
Fan Air Flow	520 m <sup>3</sup> /h
Expansion Device	Capillary Tube or Expansion Valve
Horse Power	1/3 hp
Max Condensing Pressure Operating	13.92 bar
Max Condensing Pressure Peak	15.62 bar
Power Supply	220-240 V 50 Hz
Evaporating Temperature Range	-30 °C to -5 °C

Electrical Data

Motor type	CSIR
Starting Torque	HST
Start Winding Resistance	31.85 Ω at 25° C
Run Winding Resistance	6.25 Ω at 25° C

## Mechanical Data

Maximum Recommended Refrigerant Charge	350 g
Oil Charge	350 ml
Oil Type Configuration	Polyolester
Oil Type Viscosity	ISO22
Pressurization	Dry air charge
Weight	10.9 Kg
Free Internal Volume	2.1 L

## Electrical Components

	Description
Starting Device	Current relay   MTRP-0027-65
Motor Protection	External 4TM757NFBYY-153
Start Capacitor	43-53 ?F / 330V

## External Characteristics

Base Plate	European	
Tray Holder	No	
Height	200 mm	
Connector	Internal Diameter	Shape
Suction	8.1 mm	Slanted 42°
Discharge	6.1 mm	Straight
Process	6.1 mm	Slanted 42°

## PERFORMANCE

## Rated Points

Condensing Temperature	Evaporating Temperature	Cooling Capacity	Power Consumption	Current	Gas Flow Rate	Efficiency
54.40°C	-23.30°C	346 W	260 W	2.07 A	6.67 kg/h	1.33 W/W

Test Condition: ASHRAE, Fan, Return Gas 32.2°C, Evaporation -23.30°C, Condensing 54.40°C, Ambient 32.2°C, Liquid 32.2°C. Data in accordance to ASHRAE guideline polynomial curve.

## Performance Curve Data

### Condensing Temperature 35°C

Evaporating Temperature °C	Cooling Capacity W	Power W	Current A	Gas Flow Rate kg/h	Efficiency W/W
-30	271	205	2.03	5.22	1.32
-25	352	233	2.03	6.81	1.51
-20	453	264	2.05	8.78	1.71
-15	572	297	2.1	11.14	1.93
-10	712	331	2.19	13.91	2.15
-5	870	368	2.35	17.09	2.37

Test Condition: ASHRAE, Fan, LBP. Data in accordance to ASHRAE guideline polynomial curve.

### Condensing Temperature 45°C

Evaporating Temperature °C	Cooling Capacity W	Power W	Current A	Gas Flow Rate kg/h	Efficiency W/W
-30	254	209	2.03	4.88	1.22
-25	333	241	2.04	6.42	1.38
-20	431	275	2.07	8.35	1.57
-15	549	313	2.14	10.68	1.75
-10	686	354	2.24	13.41	1.94
-5	843	398	2.41	16.55	2.12

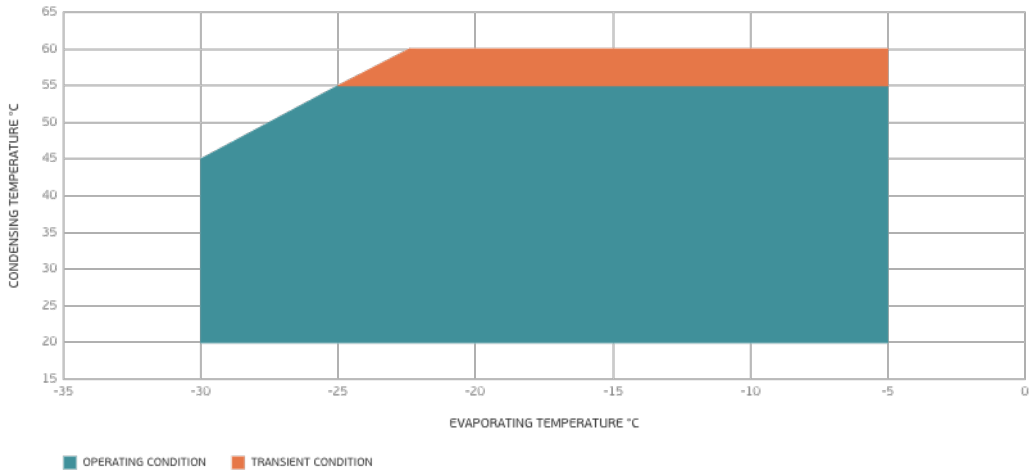
Test Condition: ASHRAE, Fan, LBP. Data in accordance to ASHRAE guideline polynomial curve.

### Condensing Temperature 55°C

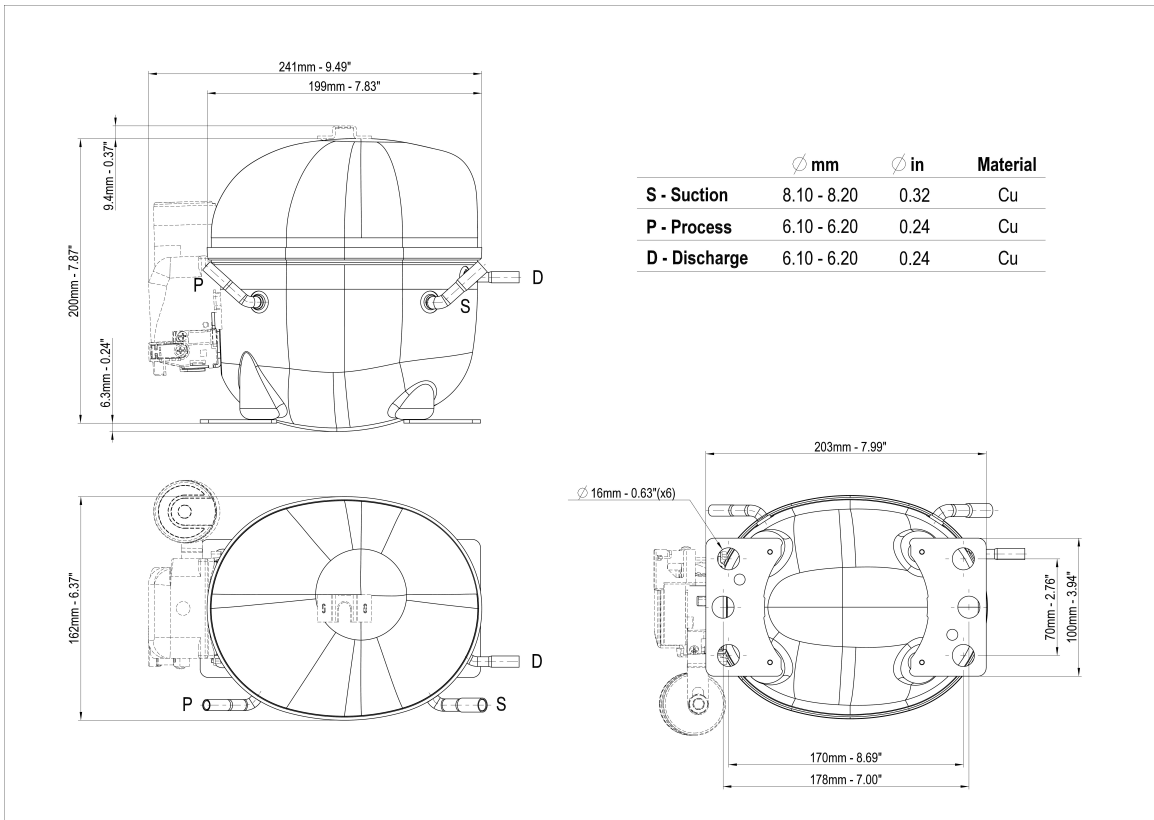
Evaporating Temperature °C	Cooling Capacity W	Power W	Current A	Gas Flow Rate kg/h	Efficiency W/W
-25	314	248	2.06	6.05	1.27
-20	411	286	2.1	7.94	1.43
-15	526	329	2.17	10.23	1.6
-10	662	376	2.29	12.92	1.76
-5	817	427	2.47	16.03	1.91

Test Condition: ASHRAE, Fan, LBP. Data in accordance to ASHRAE guideline polynomial curve.

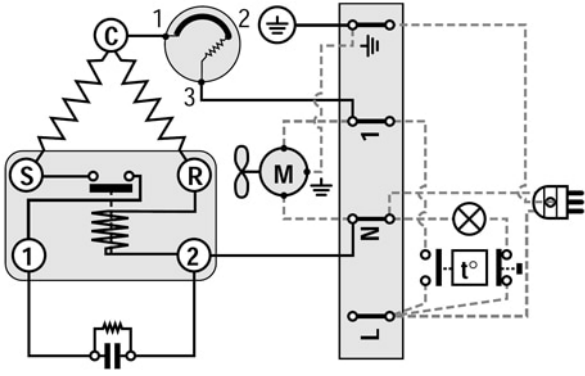
## Operating Envelope



## External Dimensions



## Wiring Diagram



## Assembly Instructions

