

Installation Guide

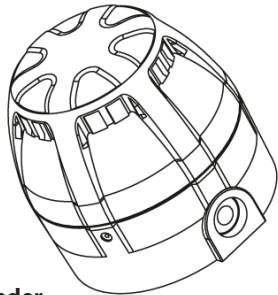
# Danfoss Gas Sensor

## Strobe and Horn

080R9334

ENGLISH

080R9334

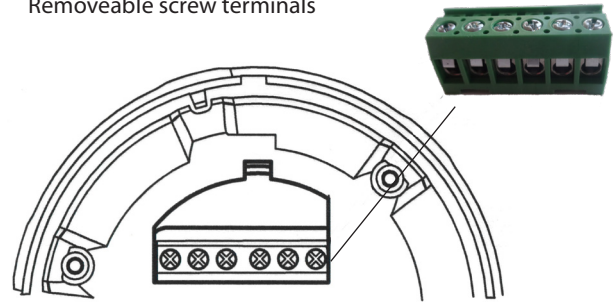


Code no. 080Z2819

**Alarm Sounder**

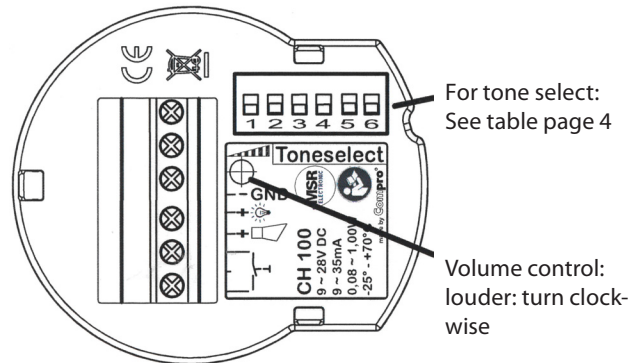
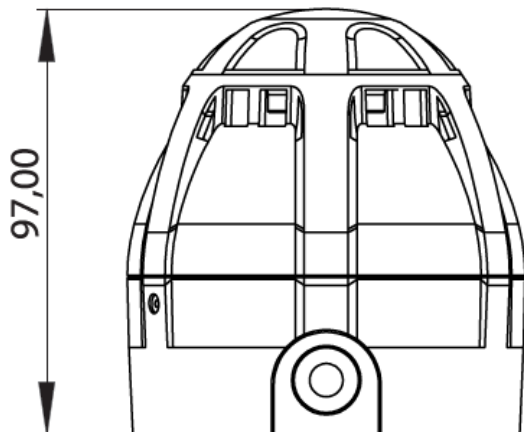
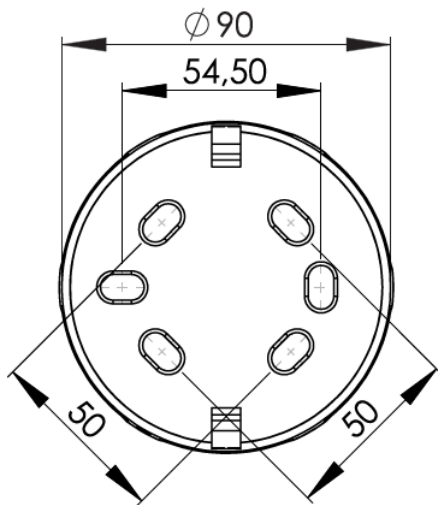
Current consumption: 9 ~ 35 mA (Siren)/ 4 ~ 6 mA (Flash)  
 Operating voltage: 9 ~ 28V DC  
 IP rating: IP 65  
 Operating temp.: -20 ~ +70 °C / -4.0 °F ~ +158 °F  
 Sound output: 67-100 dB(A)/98 dB(A) at DIN-Tone/Potentiometer  
 Number of user-selectable tones: 39  
 Lens colour: Red  
 Material: Housing: ABS FR; lens: PC

Note:  
Removeable screw terminals



Range: 16 - 24 AWG  
 Metric: 0.25.... 1.50 mm<sup>2</sup>

**Dimensions and appearance**

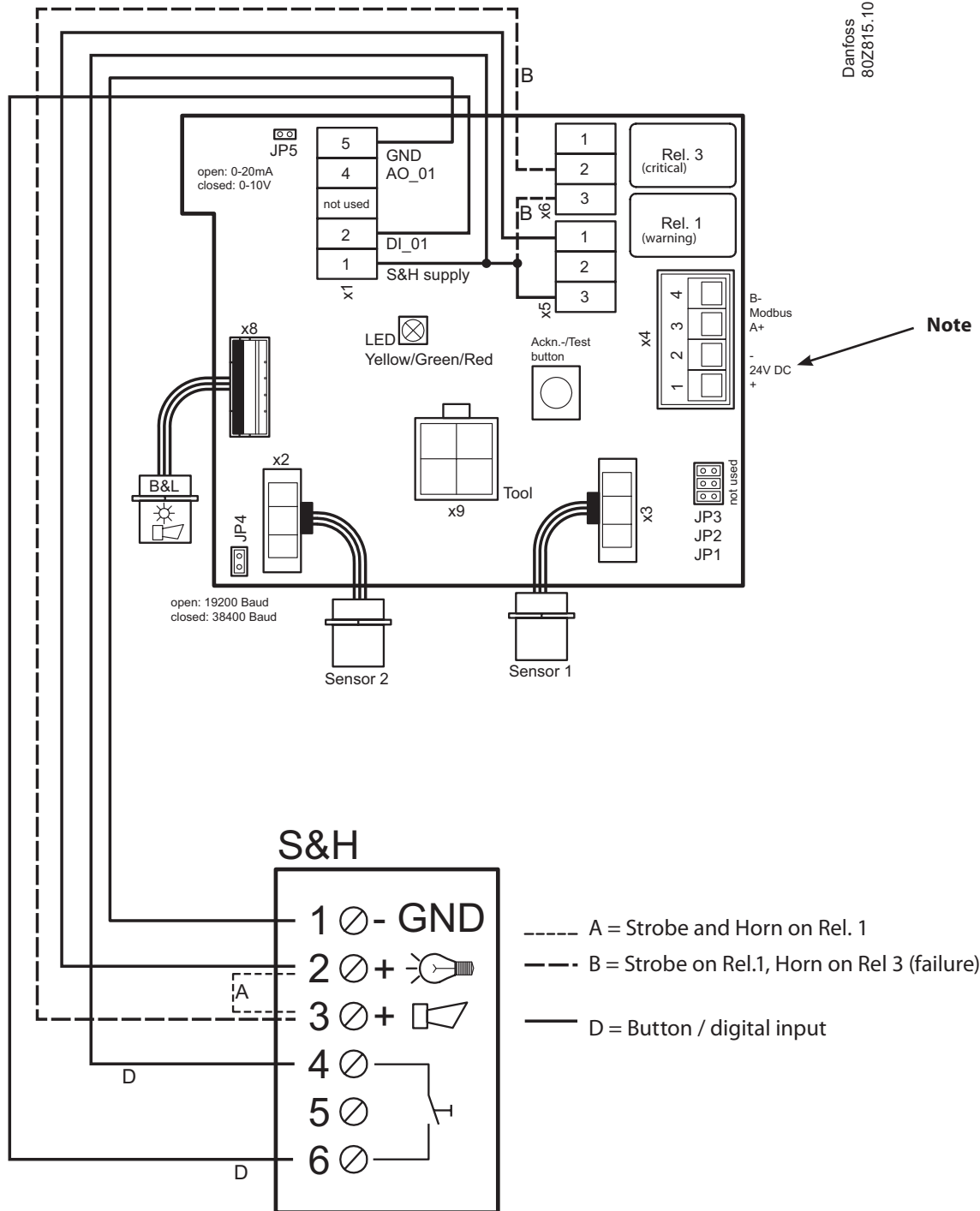


**Note:**  
Max. 1 Strobe and Horn unit may be connected to the DGS.

Note: A single 470 ohm resistor is supplied with the product and must be used when the S&H is powered from the DGS and the DGS is powered by AC power - see page 3.

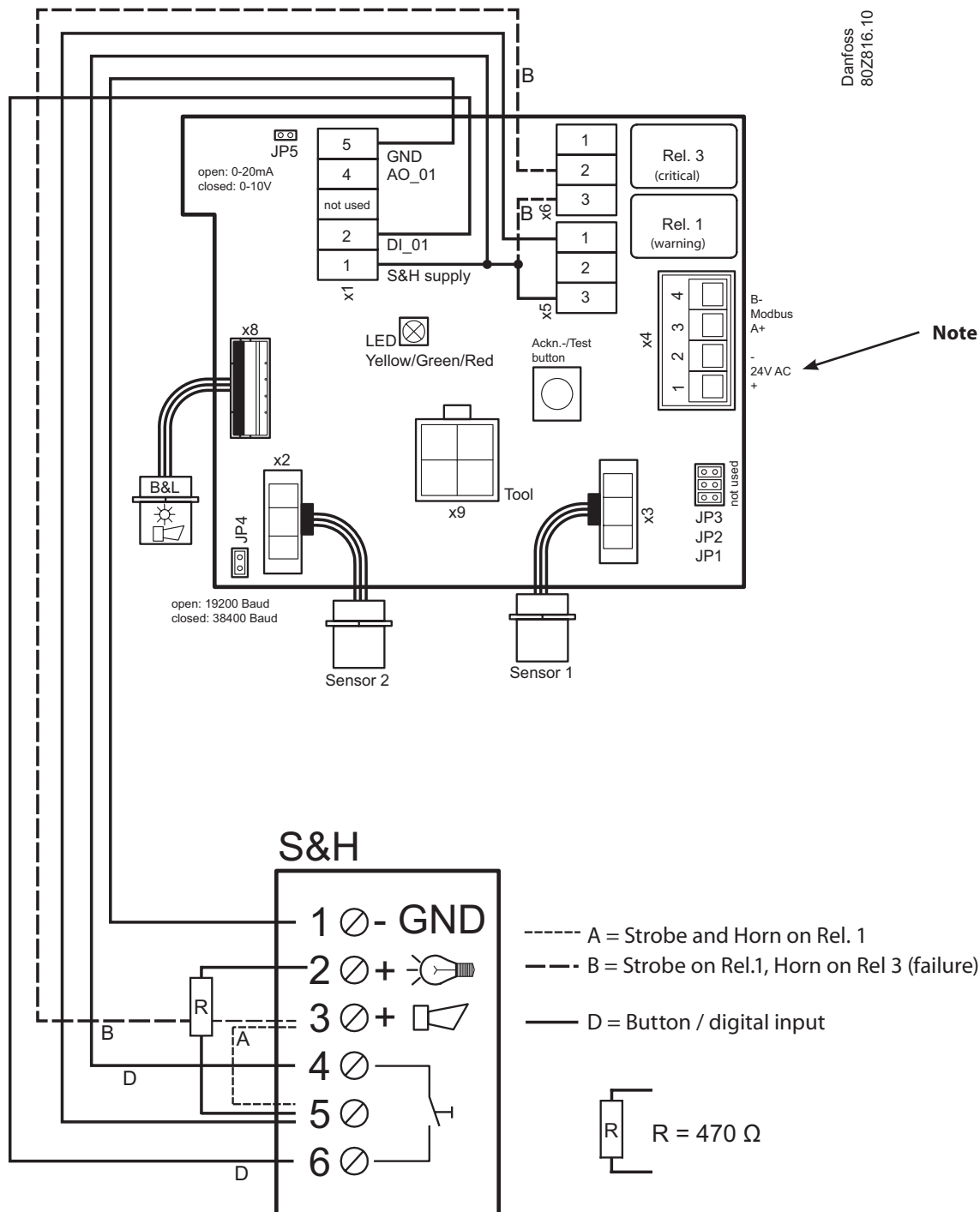
Supply voltage to DGS is DC

Danfoss  
80Z815.10

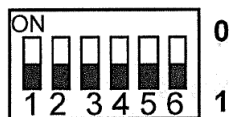


Supply voltage to DGS is AC

Danfoss  
80Z816.10



## Tone select



1. Tone	Tone select	Tone description			Application	mA @ 12VDC	dB(A) @1m, 90°, 12VDC	mA @ 24VDC	dB(A) @1m, 90°, 24VDC	
0	111111	Rising and falling	150 to 1000 to 150 Hz	10 s - 40 s - 10 s		Highest	27	93	35	97
1	011111	Alternating	800 & 970 Hz	2 Hz (250 ms - 250 ms)		BS Fire	20	93,5	30	98
2	101111	Rising	800 & 970 Hz	7 Hz (7/s)		BS Fire	20	93	29	97
3	001111	Rising	800 & 970 Hz	1 Hz (1/s)		BS Fire	20	94	30	97
4	110111	Constant tone	2850 Hz	Continuous			18	88	23	95
5	010111	Rising	2400 to 2850 Hz	7 Hz (7/s)			18	87	23	95
6	100111	Rising	2400 to 2850 Hz	1 Hz (1/s)			17	87	23	96
7	000111	Rising	300 to 1200 Hz	3s rising, 0.5s silence, then repeat		Netherlands Fire (NEN 2575)	20	94	23	98
8	111011	Falling	1200 to 500 Hz	1 Hz		German Fire (DIN 33 404)	21	93	31	98
9	011011	Alternating	2400 & 2850 Hz	2 Hz (250 ms - 250 ms)			18	87	24	95
10	101011	Interrupted	970 Hz	0.5 Hz (1s ON/ 1s OFF)		PFEER alert	17	92	20	97
11	001011	Alternating	800 & 970 Hz	1 Hz (500 ms - 500 ms)		BS Fire	20	93	30	97
12	110011	Interrupted	2850 Hz	0.5 Hz (1s ON/ 1s OFF)			17	88	21	96
13	010011	Interrupted	970 Hz	0.8 Hz (250 ms ON/1s OFF)			17	92	21	97
14	100011	Constant tone	970 Hz	Continuous		PFEER toxic gas	20	92	28	97
15	000011	Alternating	554 & 440 Hz	100 ms - 400 ms		French Fire (NFS32-001)	22	91	35	96
16	111101	Interrupted	660 Hz	3.3 Hz (150 ms ON/150 ms OFF)		Swedish (Air Raid)	18	91	26	96
17	011101	Interrupted	660 Hz	0.28 Hz (1.8 s ON/1.8 s OFF)		Swedish (local warning)	18	91	23	96
18	101101	Interrupted	660 Hz	0.05 Hz (6.5 s ON/13 s OFF)		Swedish (Pre-mess)	18	91	26	96
19	001101	Constant tone	660 Hz	Continuous		Swedish (All Clear)	20	91	31	96
20	110101	Alternating	554 & 440 Hz	0.5 Hz (1s ON/ 1s OFF)		Swedish (Turn out)	22	91	35	96
21	010101	Interrupted	660 Hz	1 Hz (500 ms - 500 ms)		Swedish common	20	91	21	96
22	100101	Interrupted	2850 Hz	4 Hz (150 ms ON/100 ms OFF)		Pelican crossing	18	88	22	95
23	000101	Ansteigend	800 to 970 Hz	50 Hz		BS Fire	21	90	30	96
24	111001	Ansteigend	2400 & 2850 Hz	50 Hz			20	85	25	93
25	011001	Interrupted	970 Hz	3 x 500 ms Pulse followed by 1.5 s silence, then repeat		ISO 8201	19	92	23	97
26	101001	Interrupted	2850 Hz	3 x 500ms Pulse followed by 1.5 s silence, then repeat		ISO 8201	19	88	23	95
27	001001	Constant tone	4000 Hz	Continuous		ISO 8201	19	90	23	95
28	110001	Alternating	800 & 970 Hz	2 Hz (250 ms - 250 ms)		BS Fire	22	93	30	97
29	010001	Alternating	990 & 650 Hz	2 Hz (250 ms - 250 ms)		BS Fire	23	92	35	97
30	100001	Alternating	510 & 610 Hz	2 Hz (250 ms - 250 ms)		BS Fire	23	91	35	96
31	000001	Rising	300 to 1200 Hz	1 Hz			22	93	34	97
32	111110	Constant tone	4000 Hz	Continuous		BS Fire	20	91	25	96
33	011110	Constant tone	990 Hz	Continuous			21	92	30	97
34	101110	Interrupted	990 Hz	1 Hz (500 ms ON/500 ms OFF)			19	92	21	97
35	001110	Constant tone	510 Hz	Continuous			23	91	35	96
36	110110	Interrupted	510 Hz	1 Hz (500 ms ON/500 ms OFF)			20	91	22	96
37	010110	Constant tone	850 Hz	Continuous			21	89	30	96
38	100110	Constant tone	1650 Hz	Continuous			20	86	24	94

PFEER Prevention of Fire Explosion and Emergency Response

BS British Standard

DIN Deutsche Industrie Norm

ISO International Organisation of Standardization